

# Series TMV

过载保护

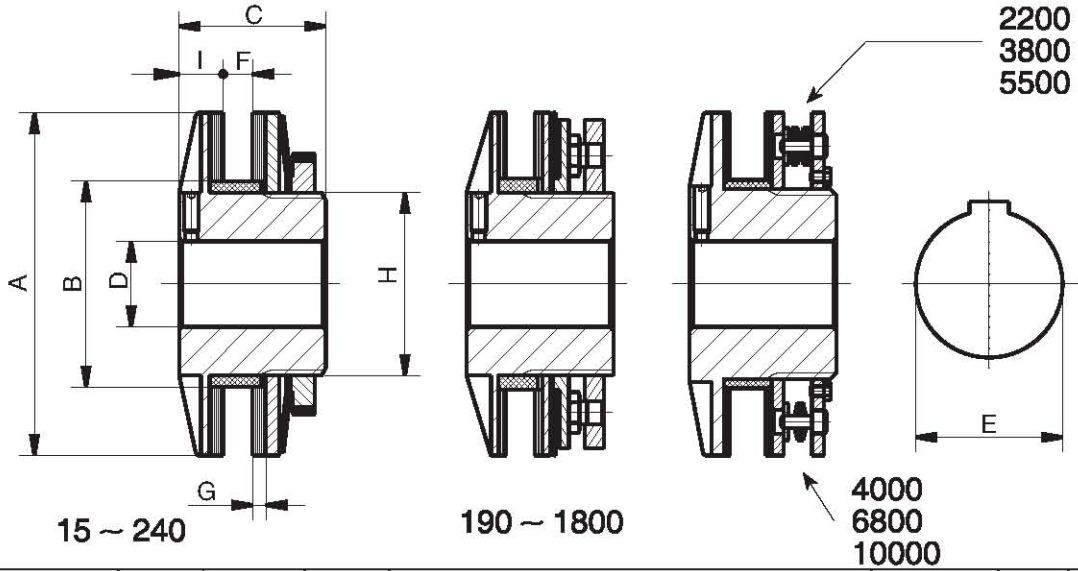
overload protection device



尺寸图  
dimensioned drawing

# 65 TMV

## Series TMV 过载保护装置 overload protection device



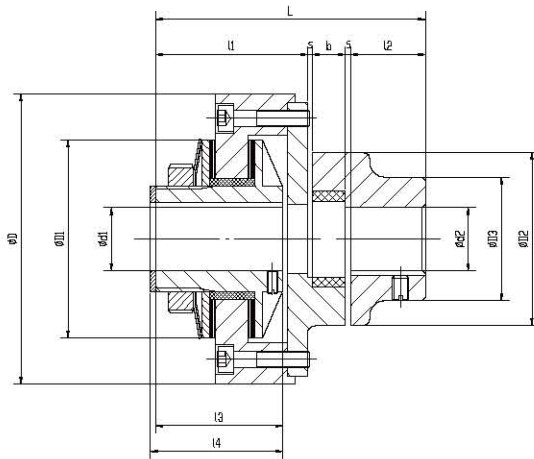
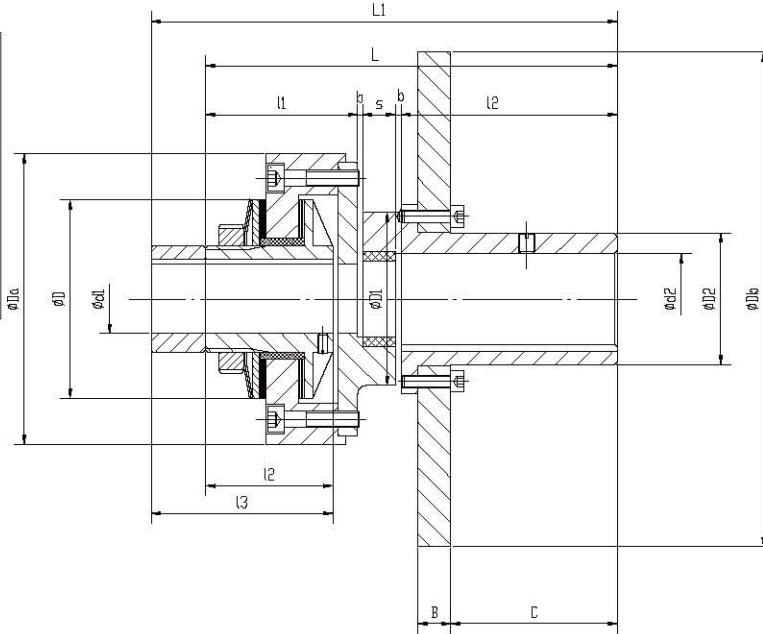
规格 size	最大扭矩 maximum torque	最大速度 max. speed	顶钻孔径 pilot bore	最大孔径 max. bore	尺寸 Dimensions							弹簧个数 No. of springs	扳手尺寸 Spanner size	总重量 Total. weight	转动惯量 Moment of inertia
					A	B <sub>k7</sub>	C	F max	G	H	I				
Series TMV	T <sub>slip</sub> max Nm	n min <sup>-1</sup>	∅D max mm	∅E max mm	mm	mm	mm	mm	mm	mm	mm	Z mm	Sw mm	kg	kg*m <sup>2</sup>
5/30	5		4.5	11	30	21	31	6	2.5	18	9	2	27		
10/30	10											2			
15/40	15											1			
28/40	28		7	14	40	26	28	7	3	22	8	2	30		
40/40	40											3			
30/45	30											1			
55/45	55		7	20	45	35	33	8	3	32	8.5	2	41		
70/45	70											3			
70/65	70											1			
120/65	120		10	22	65	45	50	13	4	36	16	2	50		
130/85	130											1			
240/85	240		15	25	85	52	55	15	4	42	17	2	60		
190/95	190											1			
340/95	340		15	35	95	60	66	15	4	52	17	2	13		
350/120	350											1			
650/120	650		20	45	120	73	77	20	4	64	21	2	13		
650/140	650											1			
1200/140	1200		20	60	140	90	86	20	5	85	23	2	13		
1000/170	1000											1			
1800/170	1800		28	65	170	100	93	20	4.8	90	26.5	2	13		
2200/200	2200											24			
4000/200	4000		35	80	200	120	105	25	5	110	27	24	10		
3800/254	3800											32			
6800/254	6800		48	90	254	140	120	29	5	125	33	32	10		
5500/280	5500											32			
10000/280	10000		48	120	280	170	120	29	5	155	33	32	10		

典型结构  
typical structure

Series **TMV**  
过载保护装置  
overload protection device



尺寸图  
dimensioned drawing  
65 TMV-07TMS



尺寸图  
dimensioned drawing  
65 TMV-01TMS

尺寸图  
dimensioned drawing  
65 TMV-06TMS

